

## Product Description

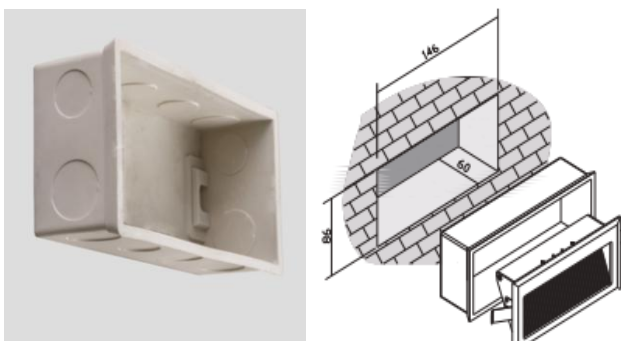
LED Step Lights are designed for wall or step integration and offers various design possibilities in an architectural illumination. These elegant step lights have a sleek and clean look for indoor environment. It includes aluminum housing and mounting sleeve for easy installation.

## Product Specification

Luminaire Wattage	3W
Luminaire Color	□ FBS
Light Source	CREE XP-E
Color Temperature	2700K/3000K/4000K/5000K
Color Rendering Index	Ra≥80
Luminous Flux	130lm at 3000K
Cut-out	138X72mm
Driver	ELP03SS1
Power Factor ( PF )	≥0.45
Input	AC100-240V 50-60Hz
Output	DC 700mA 4V
Class	III
IP Degree	IP20
Inner Box	17X9.5X5cm
Carton Size	40X36X27cm
QTY/CTN	40PCS/CTN
Net Weight	0.17KG/PCS

## Related references

### Accessories



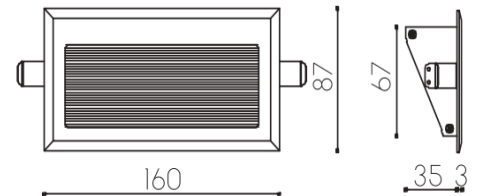
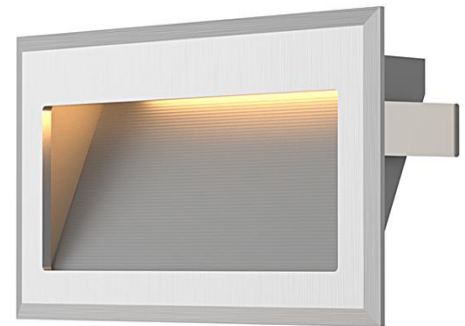
ART01-L

Model No.

RTL0101-1

CONTACT US FOR MORE DETAILS

[Weblink](#)



## Related references

### LED POWER SUPPLIES



Constant current power supply

Related project picture of product family:

